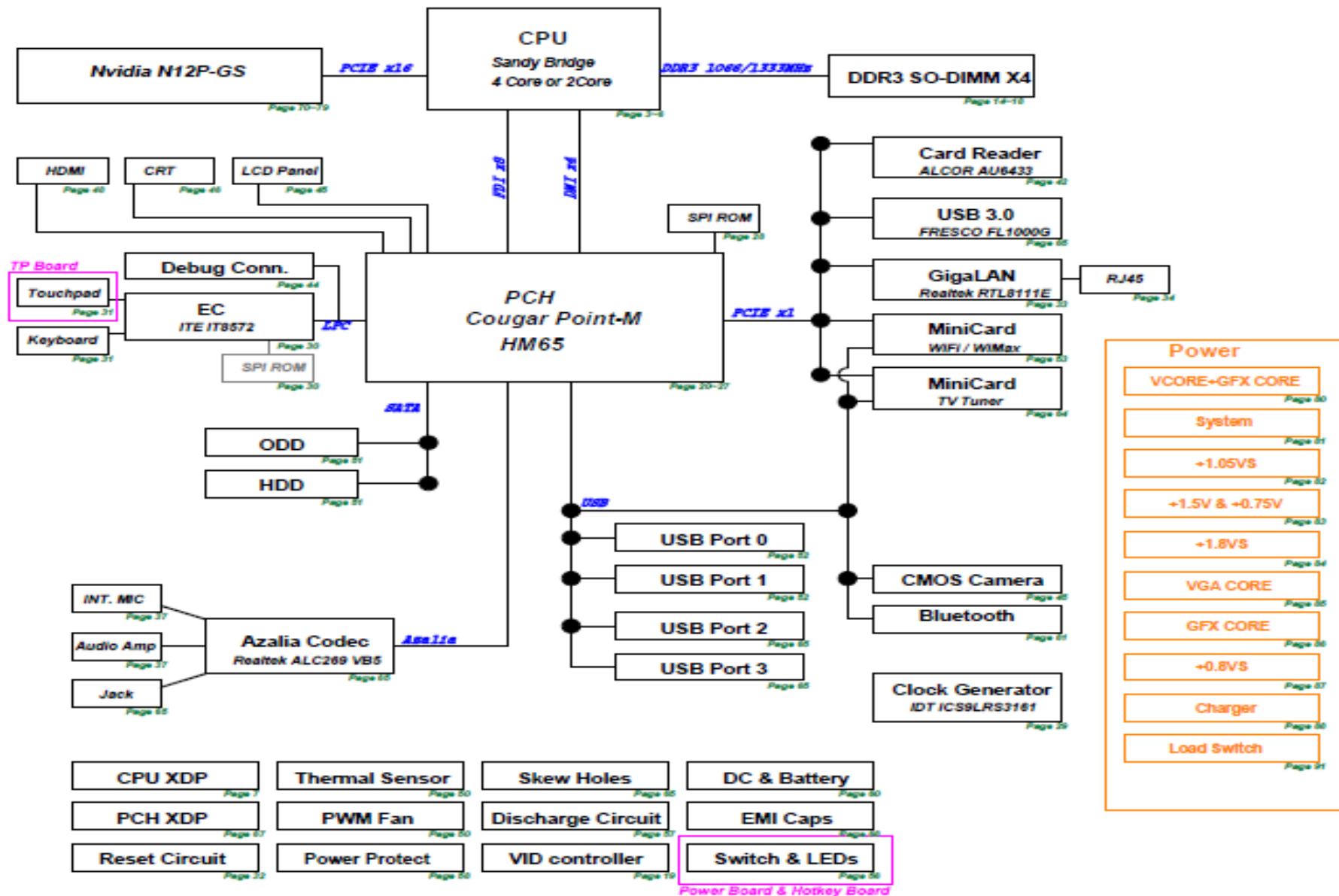
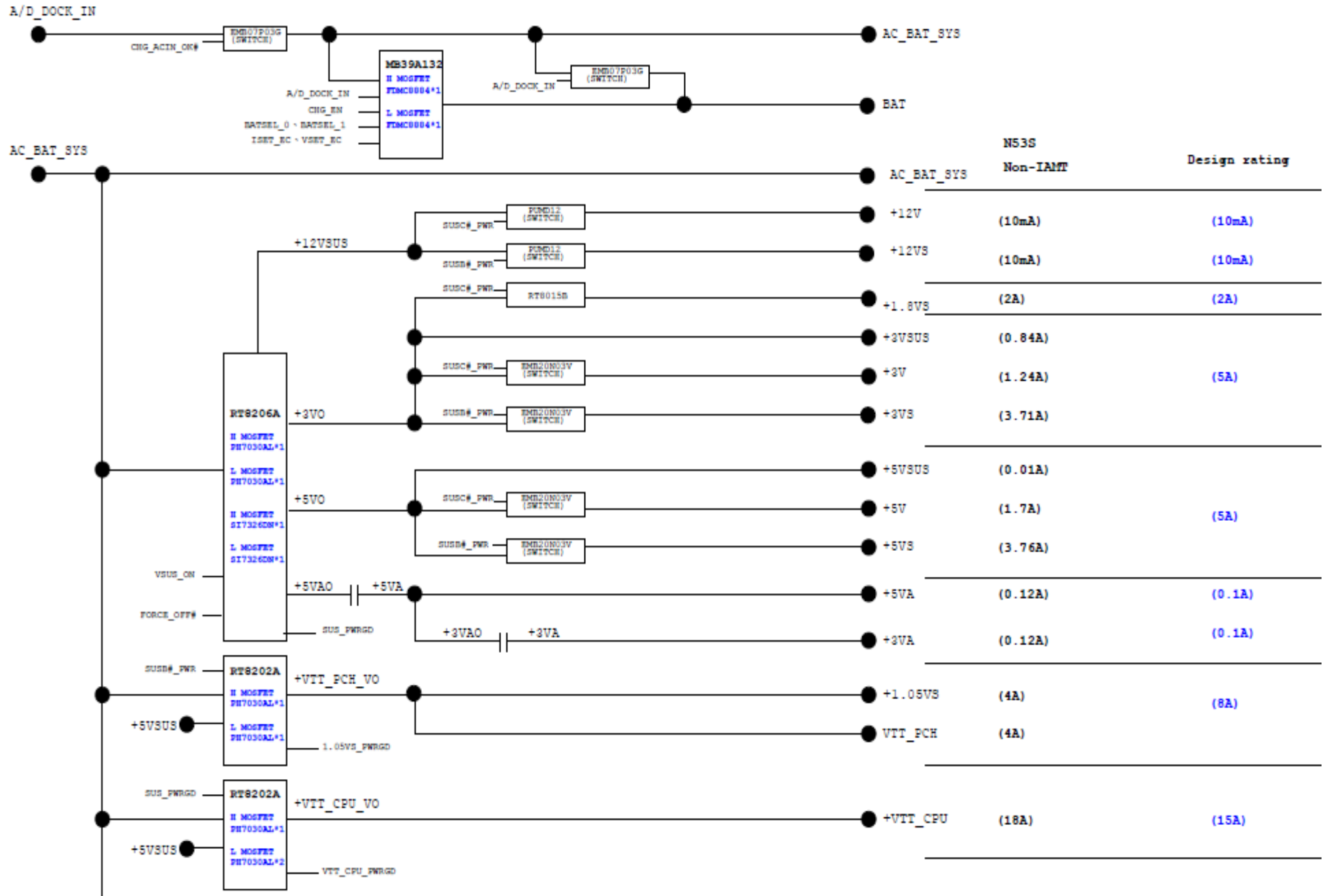
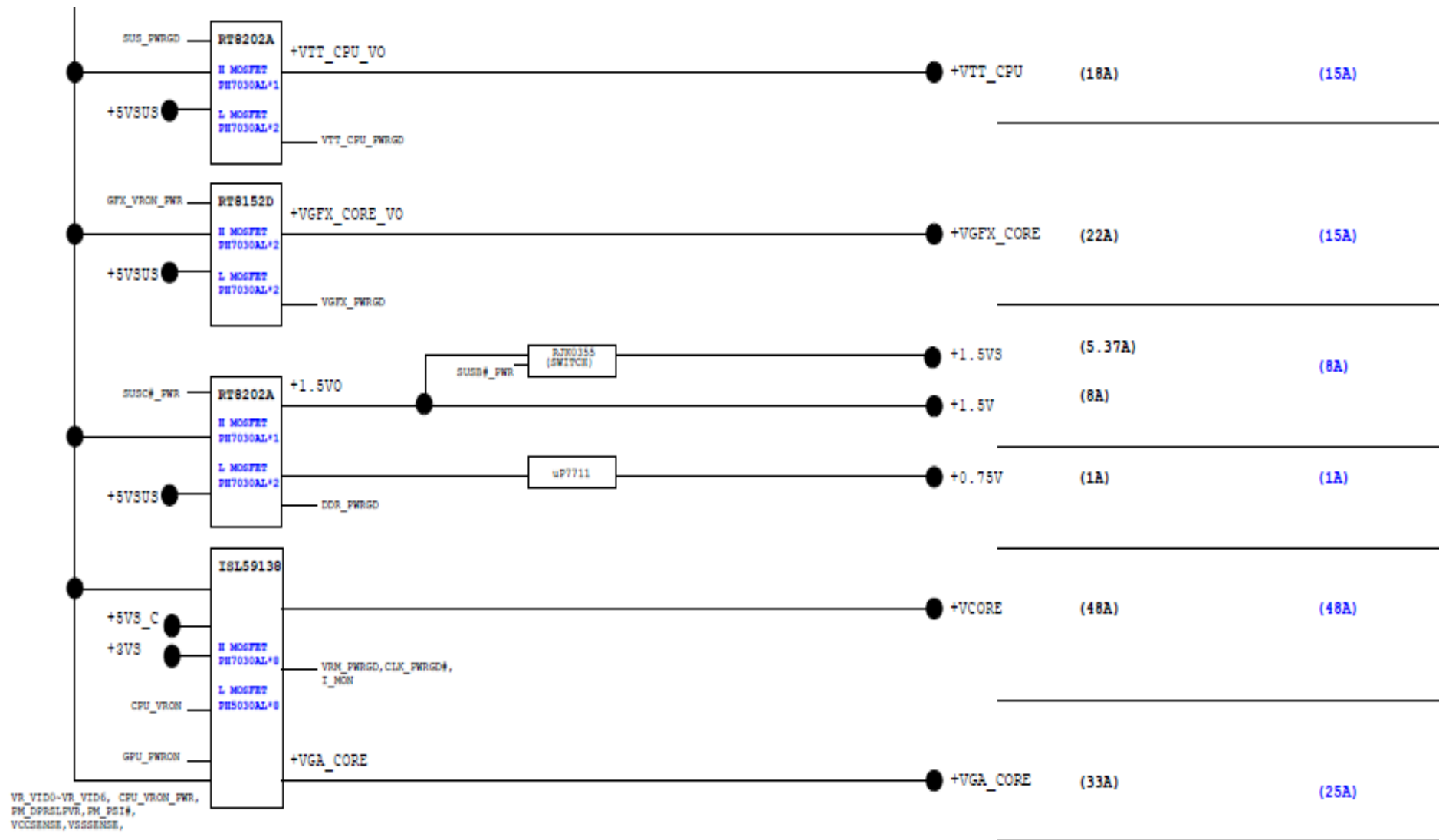


K53SV Repair Guide



POWER FLOW

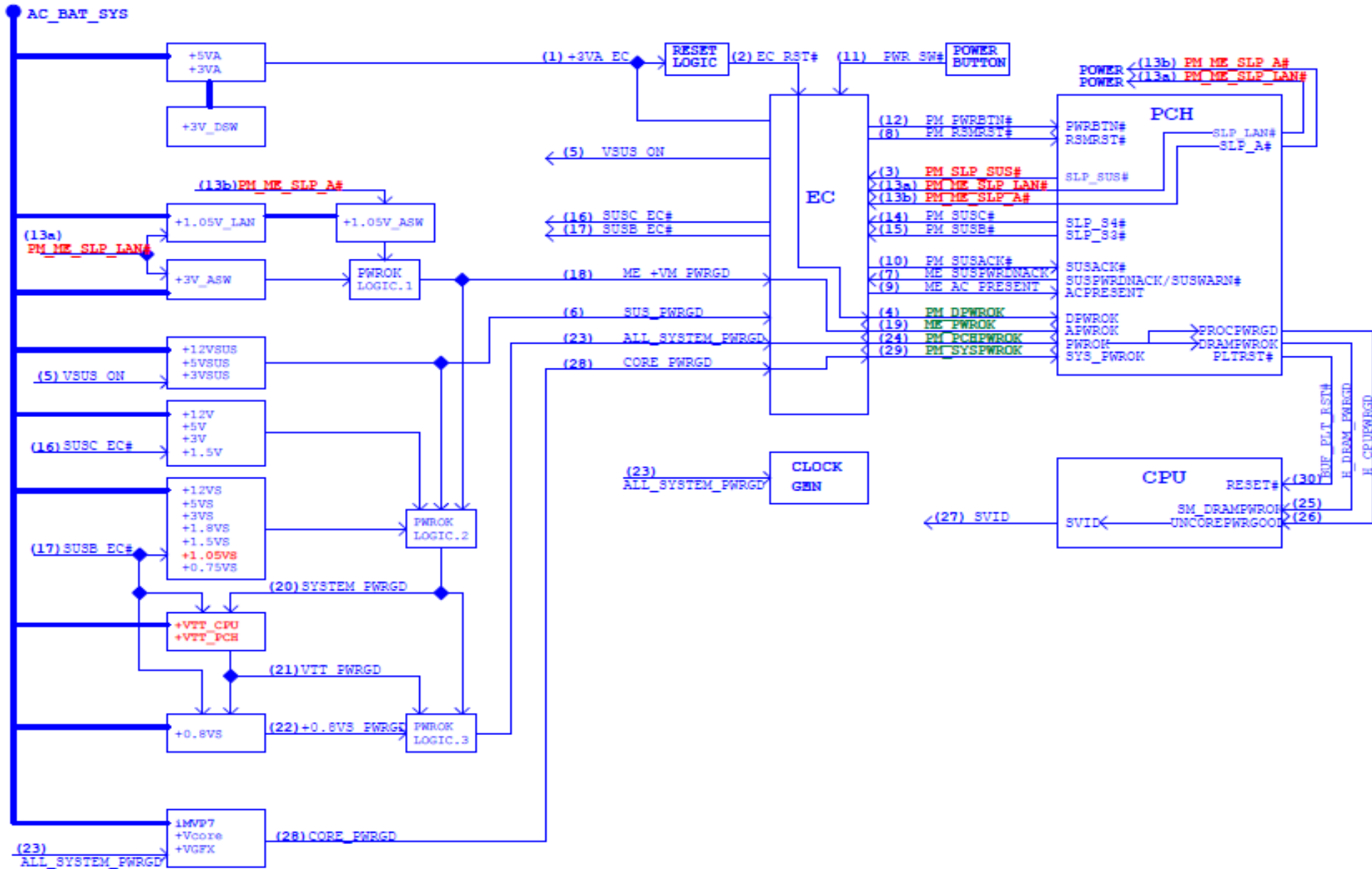




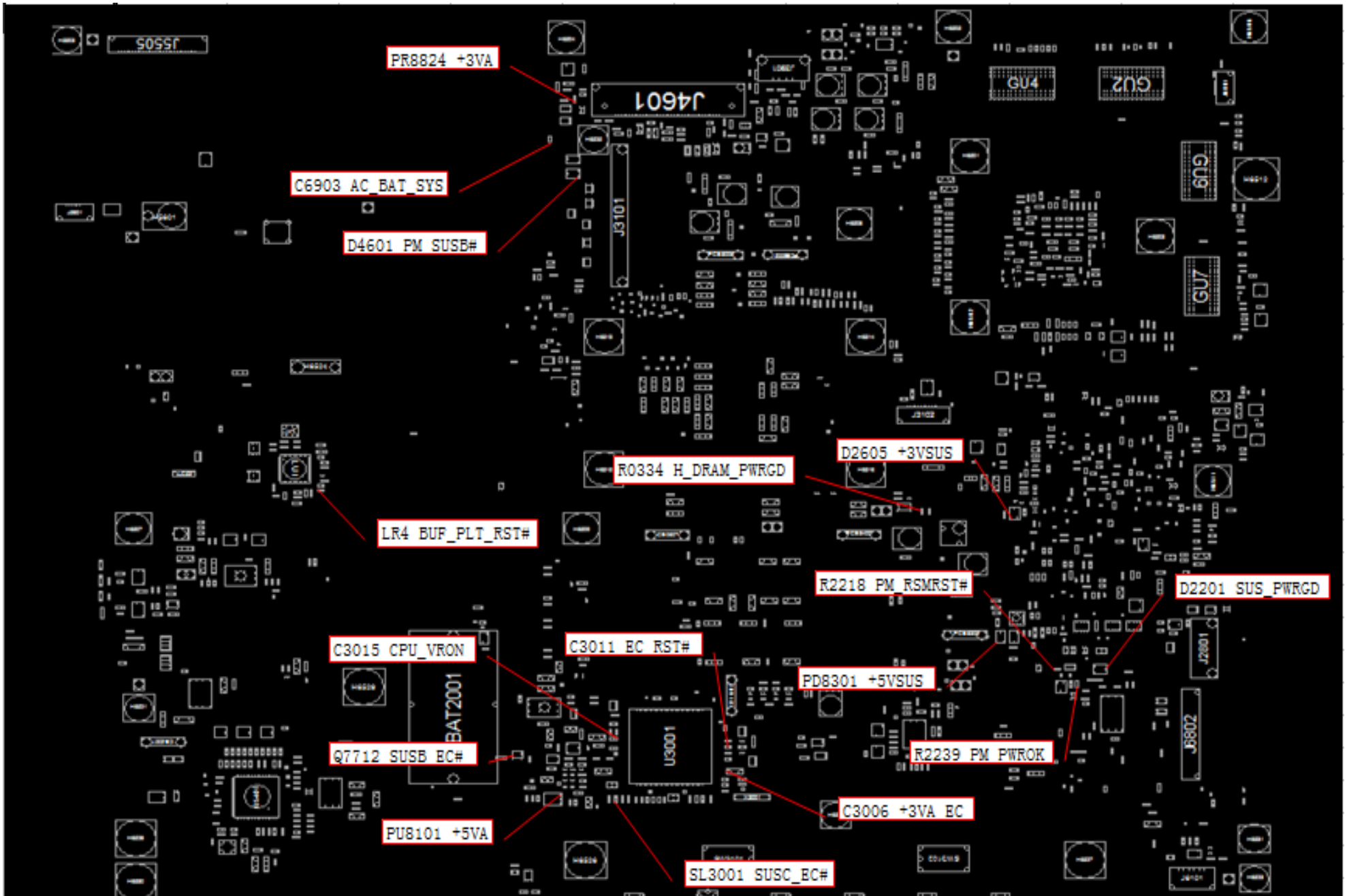
POWER ON SEQUENCE

U53 Power On Sequence Diagram Rev.0.14

AC-IN Mode



Voltage & Signal Measure Point TOP



Voltage & Signal Measure Point Bottom

